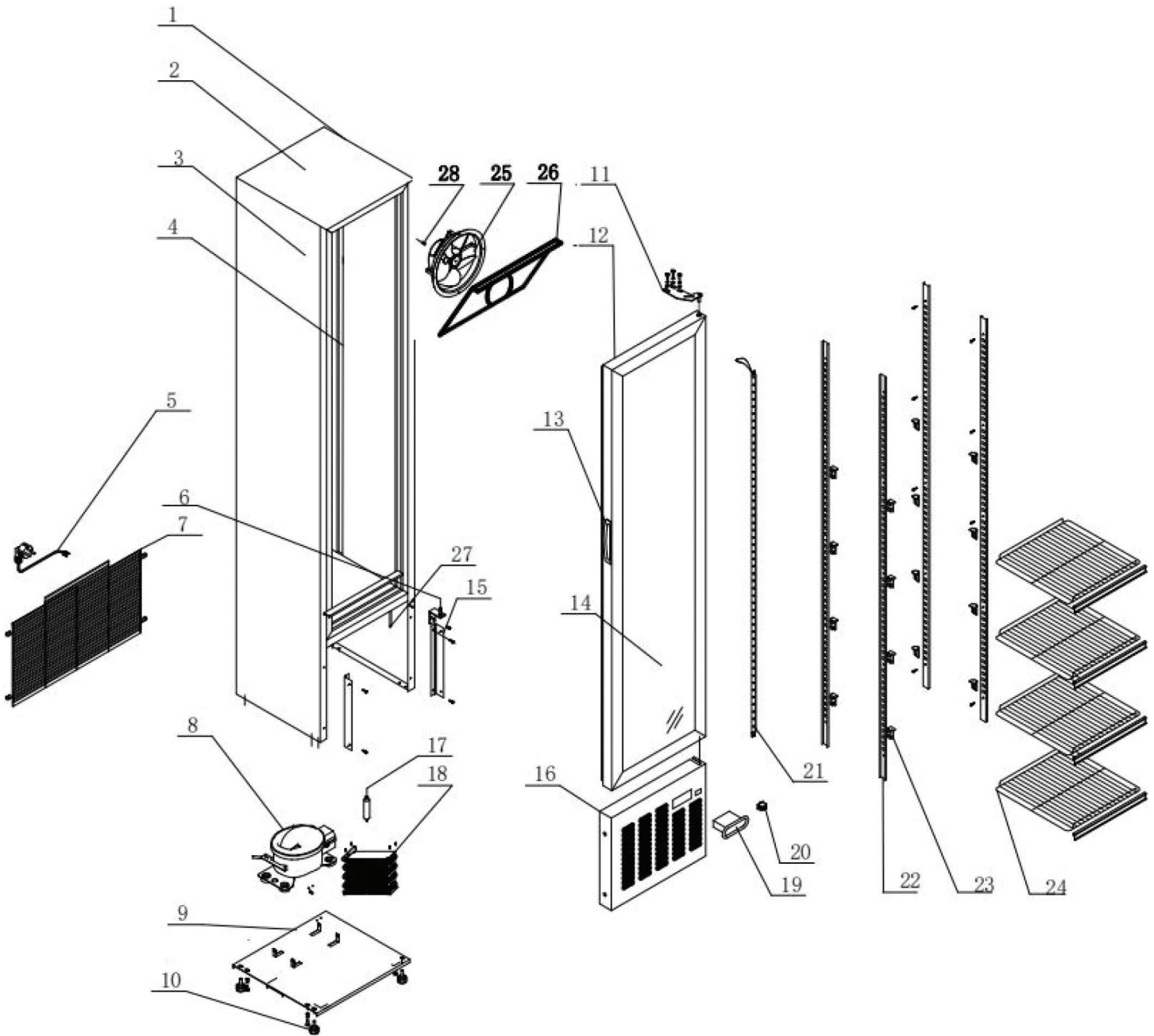


# Parts Breakdown

Model FR-CN-0105 47241



# Parts Breakdown

## Model FR-CN-0105 47241

Item No.	Description	Position	Item No.	Description	Position	Item No.	Description	Position
AO986	Left Side Board for 47241	1	AH288	Top Hinge for 47241	11	AH222	Light on Glass Door for 47241	21
AO987	Top Board for 47241	2	AO991	Door Seal for 47241	12	AH287	Shelf Support for 47241	22
AO988	Right Side Board for 47241	3	AO992	Door Handle for 47241	13	AH286	Shelf Clip for 47241	23
AO989	AL Interior for 47241	4	AH285	Glass Door for 47241	14	AH291	Shelf for 47241	24
AH275	Power Line for 47241	5	AH283	Front Cover Connection Strip for 47241	15	AO996	Internal Fan for 47241	25
AH284	Bottom Hinge for 47241	6	AH282	Front Bottom Panel for 47241	16	AO997	Fan Cover Board for 47241	26
AO990	Back Cover for 47241	7	AH280	Filter Drier for 47241	17	AO998	Coil Evaporator for 47241	27
AH278	Compressor NUG60LR for 47241	8	AH271	Condenser for 47241	18	AP000	Temperature Probe for 47241	28
AH279	Bottom Board for 47241	9	AH264	Digital Temperature Controller for 47241	19			
AH277	Foot for 47241	10	AH265	Switch for 47241	20			